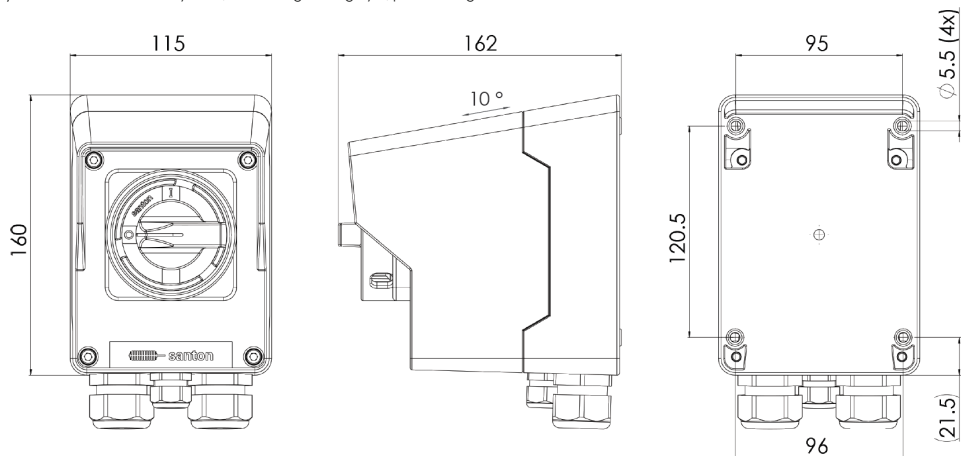


CS SWITCH TYPE ELECTRIC SPECIFICATIONS ¹

				16A	25A	32A	40A	
Rated insulation voltage	U _i	(IEC 60947)	V	690	690	690	690	
Rated impulse withstand voltage	U _{imp}	(III/3) ⁽²⁾	kV	6	6	6	6	
Rated thermal current	I _{th}	(IEC 60947)	A	16	25	32	40	
Rated short-time withstand current	I _{cw / 1 sec.}		A	400	500	600	600	
Max. fuse size for short circuit protection	In gG charac.	10kA	A	35	35	35	40	
		25kA	A	32	32	32	32	
		50kA	A	32	32	32	32	
Rated operational current	I _e	AC1/AC21A	A	16	25	32	40	
Motor switch in utilization category	AC3 IEC/VDE/BS	220/240V	kW	3,7	5,5	7,5	7,5	
		3 phase	380/440V	kW	5,5	7,5	11	11
			500V	kW	7,5	11	15	15
			690V	kW	7,5	11	15	15
	AC23 IEC/VDE/BS	220/240V	kW	4	7,5	9	9	
		3 phase	380/440V	kW	7,5	11	15	15
			500V	kW	9	15	15	15
			690V	kW	9	15	15	15
Conductor size	r = rigid	max. r/f	mm ²	10/6	10/6	10/6	10/6	
	f = flexible		AWG	8/10	8/10	8/10	8/10	
Number of auxiliaries possible				2	2	2	2	

(1) The electric specifications of the P- and X- type switches are on request available

(2) Valid for neutral earthed systems, overvolt age category III, pollution degree 3



www.santonswitchgear.com

Santon Holland bv

The Netherlands.
Tel: +31 (0)10 283 26 00
Fax: +31 (0)10 429 45 46
info@santonswitchgear.com
EN-ISO 9001:2008

Santon International

The Netherlands
Tel: +31 (0)10 283 26 00
Fax: +31 (0)10 429 45 46
info@santonswitchgear.com
EN-ISO 9001:2008

Santon Switchgear Ltd

United Kingdom
Tel: +44(0)1633-252371
Fax: +44(0)1633-254277
info@santonswitchgear.co.uk
EN-ISO 9001:2008

Santon GmbH

Germany
Tel: +49(0)180 118 40 88
Fax: +49(0)180 118 41 99
info@santonswitchgear.com
EN-ISO 9001:2008

SANTON CITADEL MP SWITCH

MULTI PURPOSE ENCLOSURE



Created for every industry



IP65 - IP69 Rated



Chemical resistant material, glass re-inforced Noryl GFN2-SE1

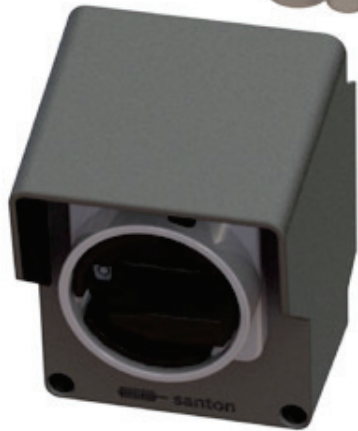


10° sloping roof

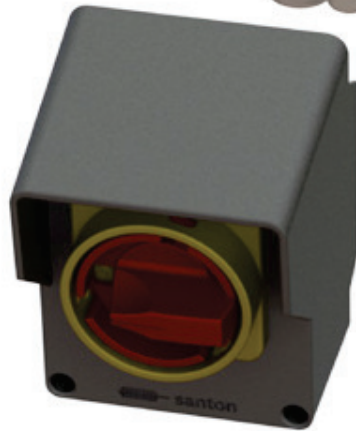


 **santon**
superior switch solutions

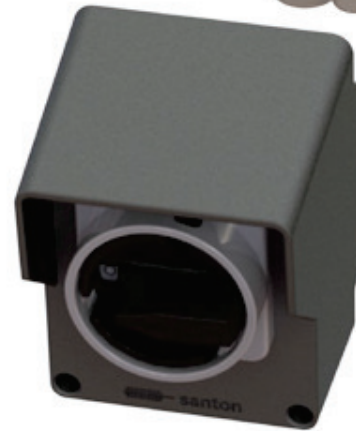
Citadel MP Series equipped with CS-Type switch



Citadel MP Series equipped with P-Type switch



Citadel MP Series equipped with X-Type switch



Endless options are available on request



The Citadel MP Encloser

The new Citadel MP series, which stands for Multi-Purpose, is designed for all applications. You expect the highest quality from Santon and the MP delivers. The Citadel MP is made of glass fibre filled Noryl. The enclosure is resistant to chemically aggressive substances, dirt, dust, salt and great range of cold and high temperatures.

The Citadel MP series can be used in moisture filled environments with an IP range that starts from IP65 up to IP69K. The wall thickness of 6mm ensures that the enclosure is impact proof and can be drilled and tapped to suit glands. The enclosure can handle falling waste, like coals etc. We have included a sloping roof on the MP at 10 degrees so that your installation doesn't need an extra cover external of the switch, saving time and money and the sloping roof prevents any fluids lying on the enclosure. The Citadel MP series is designed as 'fit and forget' product.

Introduction

All safety critical electric systems require isolator switches so that when the isolator is switched 'off' the system becomes safe to work on. The isolator switch must protect your life and the life of your employees and be suited to the conditions and environment of your installation. Santon has been manufacturing AC and DC rotary switches since 1921, we have supplied many companies worldwide with more than 500,000 switches into heavy industrial markets, Santon is a well-known trusted and reliable partner. The Citadel MP series has evolved after listening to our customer's specific needs. We gathered the information and our engineers designed the new standard for safety isolators. The Citadel MP series is designed for every application, for a standard applications or equally for heavy industrial environments.

Electrics

The Citadel MP series can be populated with 3 different switches, The Santon CS-Type for standard AC applications, The Santon X-Type for DC applications up to 1500VDC and the Santon P-Type for special configurations and applications where shock and vibration proof is needed. The standard application CS switch version is base mounted and complete with cage connectors, which allows the installer to wire the switch within minutes.

The CS-switch is available from 16A to 40A, all switches have the same footprint and can be easily replaced/retrofitted without the need of special tools. The CS switch is always available as a three and a four pole switch. Auxiliary contacts are available in multiple configurations. On the next page you can find all electric characteristics of the CS switch.

Options

To guarantee the Citadel MP series meets all demands there are multiple options available. The Citadel MP series is available with different knob colours; black/grey and red/yellow lockable knobs, which can be locked with a maximum of three eight millimeter padlocks, or a standard black non lockable knob.

The Citadel MP enclosures can be mounted/fitted with glands up to M32. A combination of different sizes is also possible, for example: 2x M25 and 1x M20. Pressure equalizing valves can also be placed at the bottom of the enclosure if required. As a quality product and a quality driven company, Santon will provide every IP68 enclosure with a test report, tested to your required specification eg. pressure and the time that the enclosure is expected to be under water. The Citadel MP Series is designed to work under 2 Bar pressure.

Always on stock: part number CS25-3P-NONC-MP1BG7.

Description: 3 pole isolator switch 400V/25A, with a NO and NC auxiliary contact. IP67 rated. Black – Grey pad lockable knob.